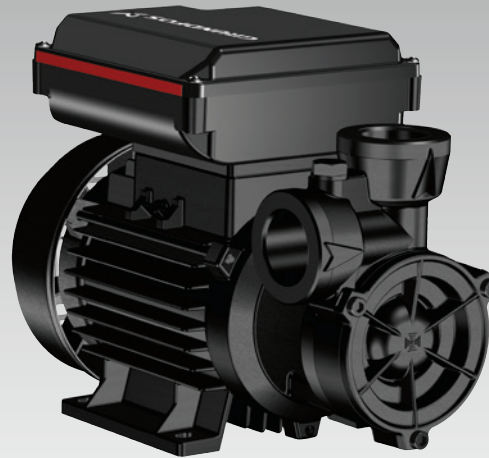


NS/PF



Further product
documentation



net.grundfos.com/qr/i/99057323

be
think
innovate

GRUNDFOS 

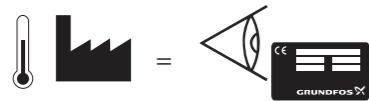


Max. bar =

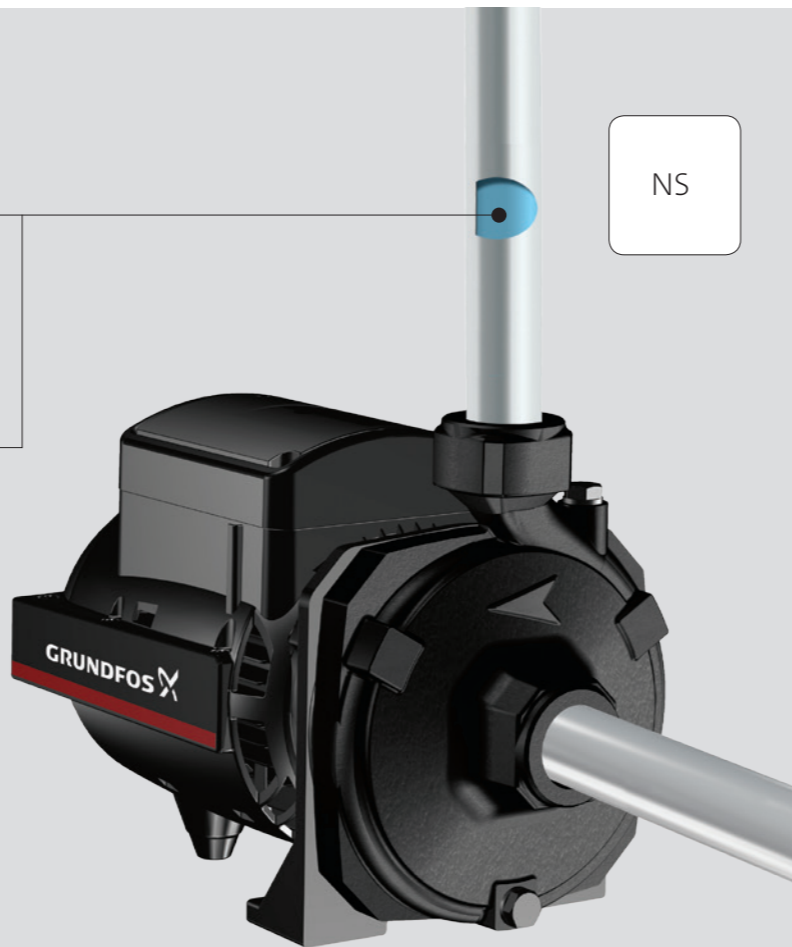


NS

= Min./Max.
0 °C / +35 °C



= Min./Max. 0 °C / +40 °C



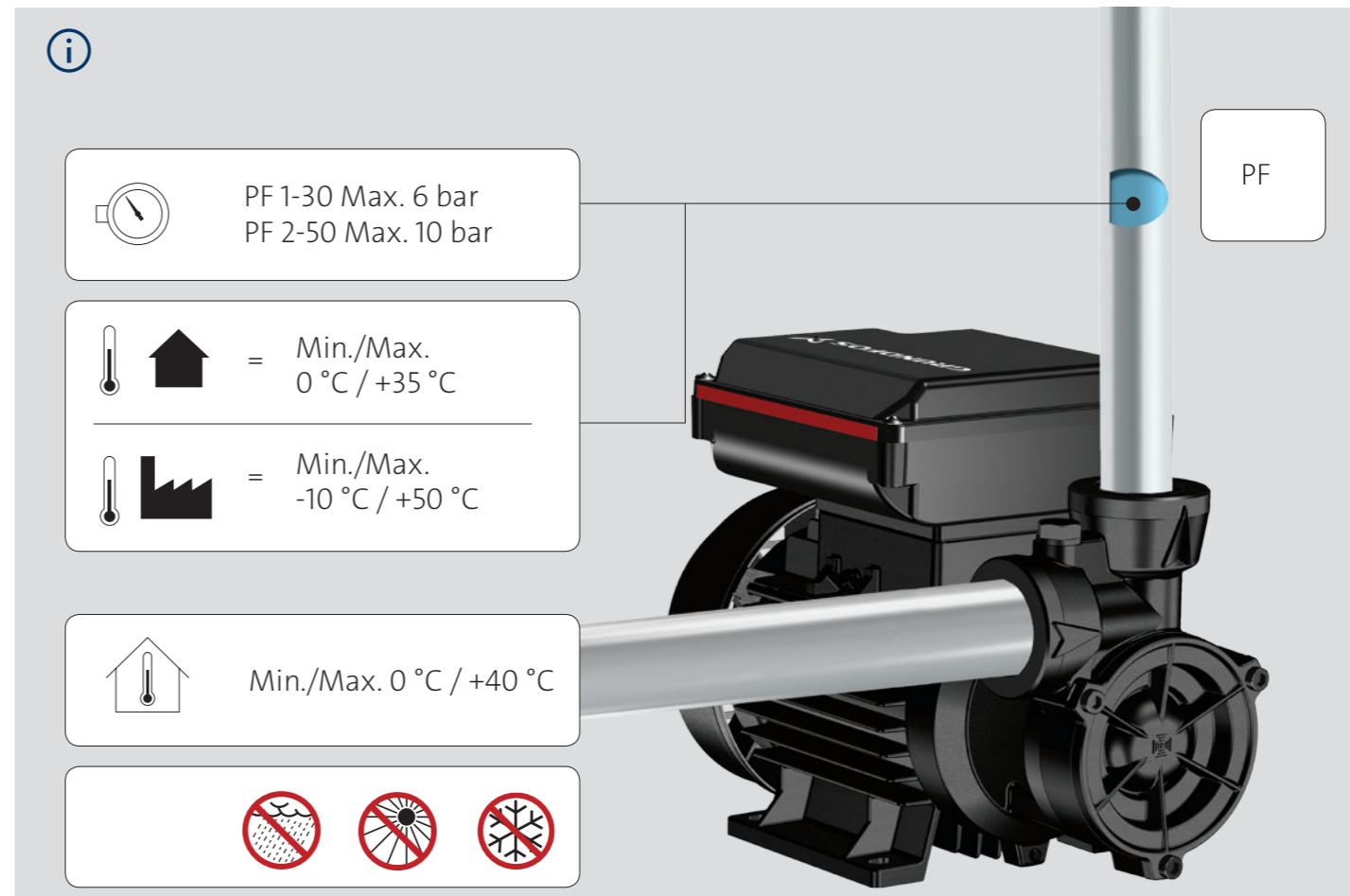
PF 1-30 Max. 6 bar
PF 2-50 Max. 10 bar

PF

= Min./Max.
0 °C / +35 °C

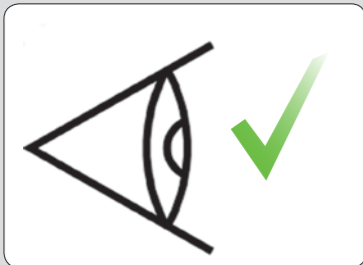
= Min./Max.
-10 °C / +50 °C

= Min./Max. 0 °C / +40 °C

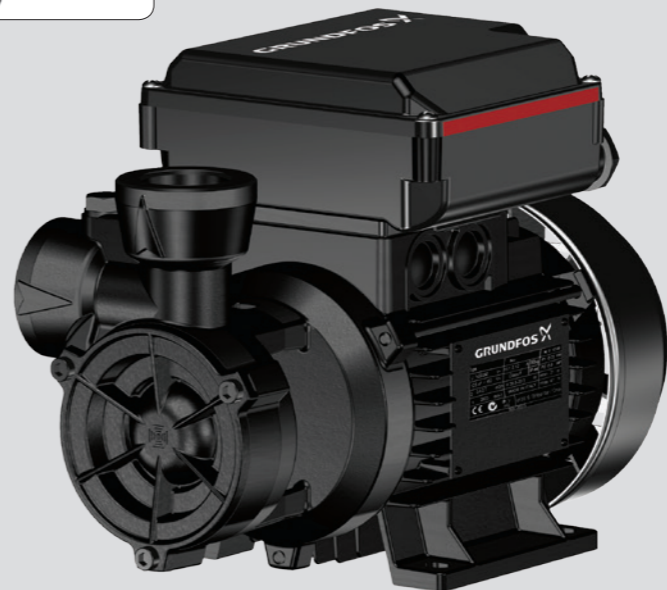
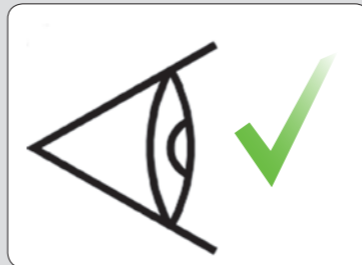


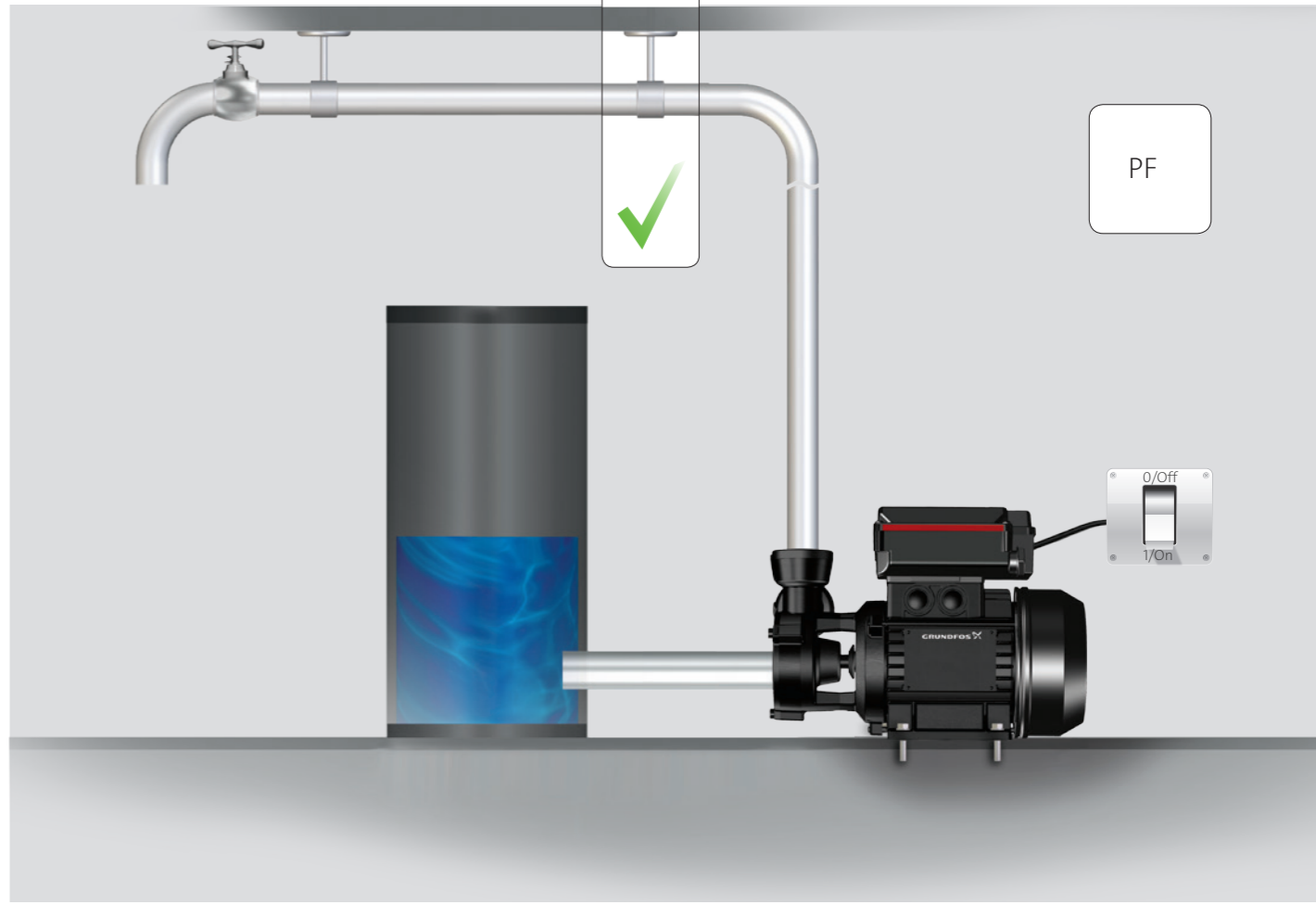
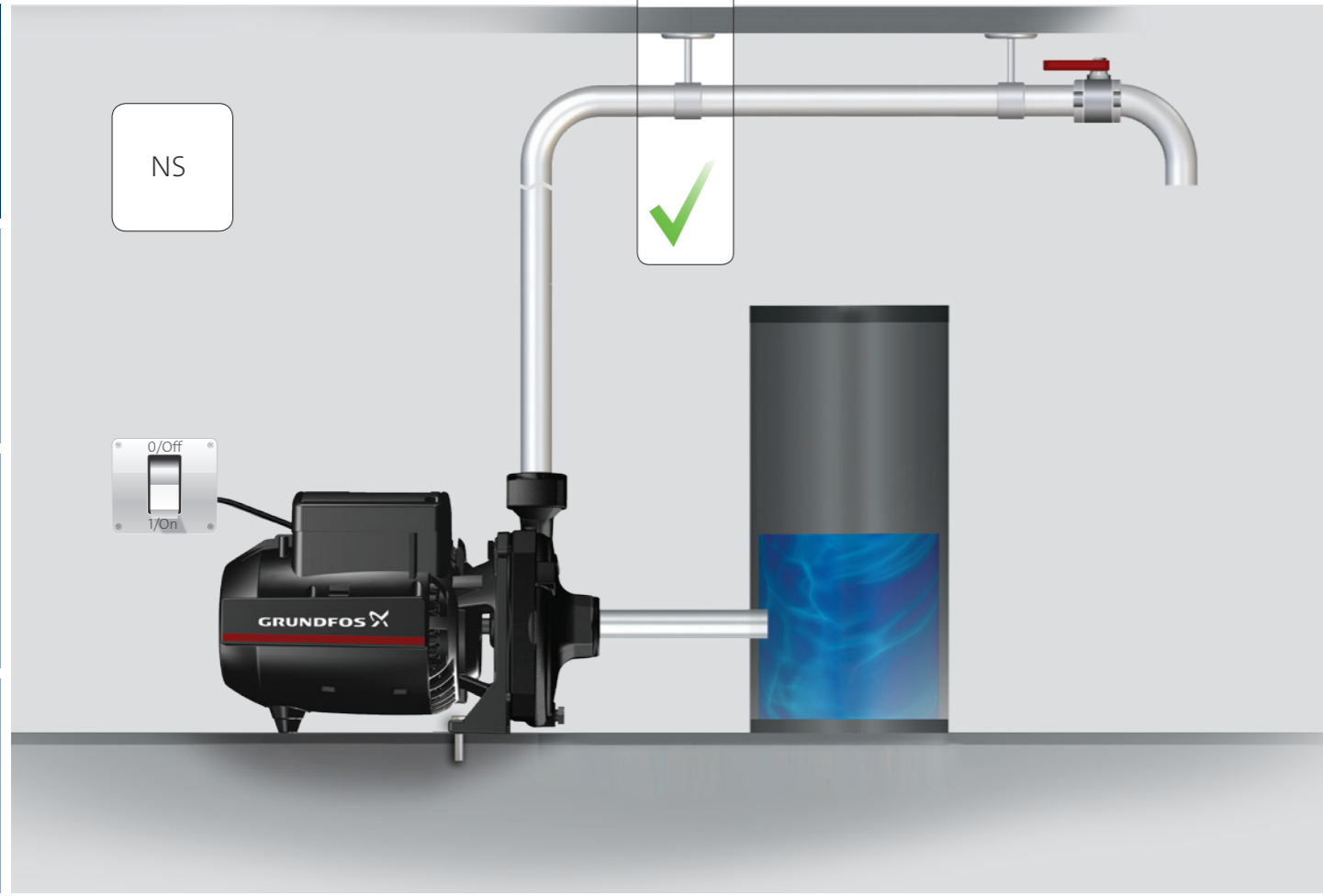


1A



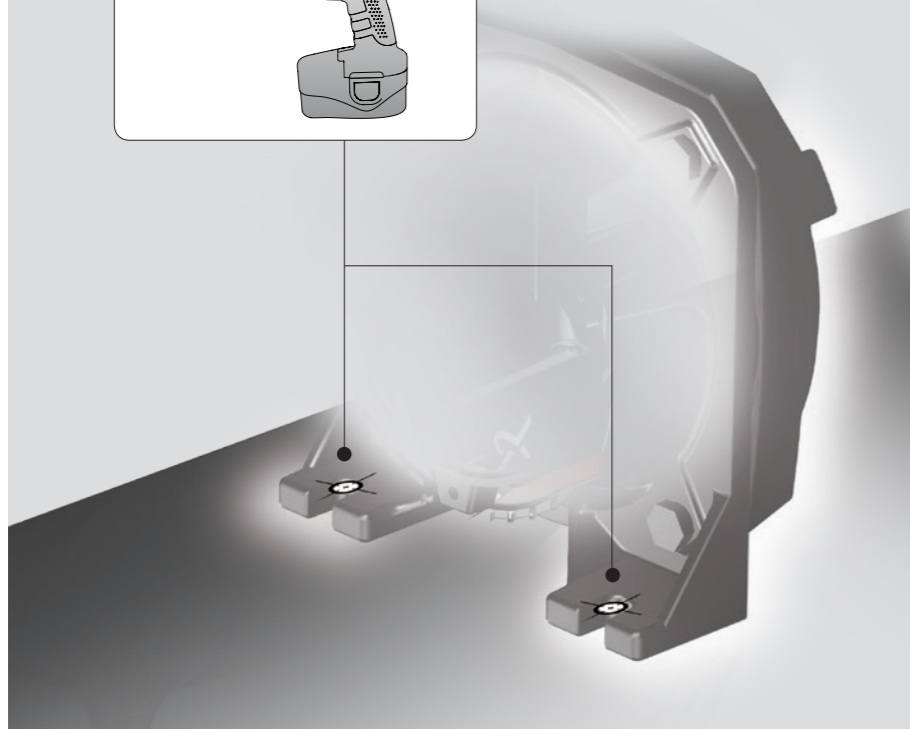
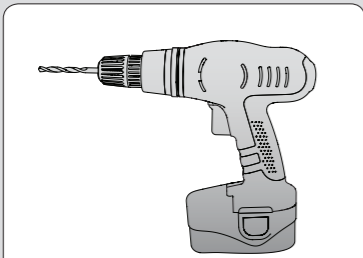
1B



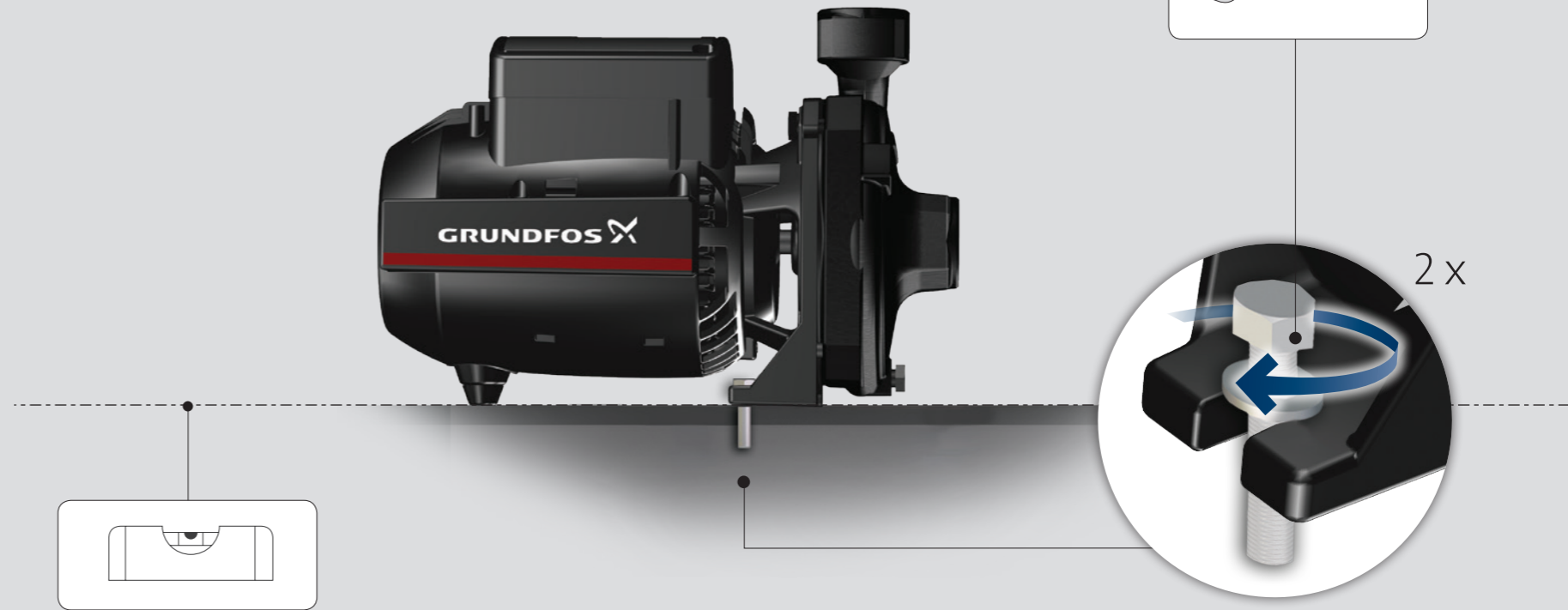
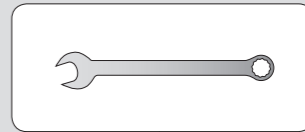




2A

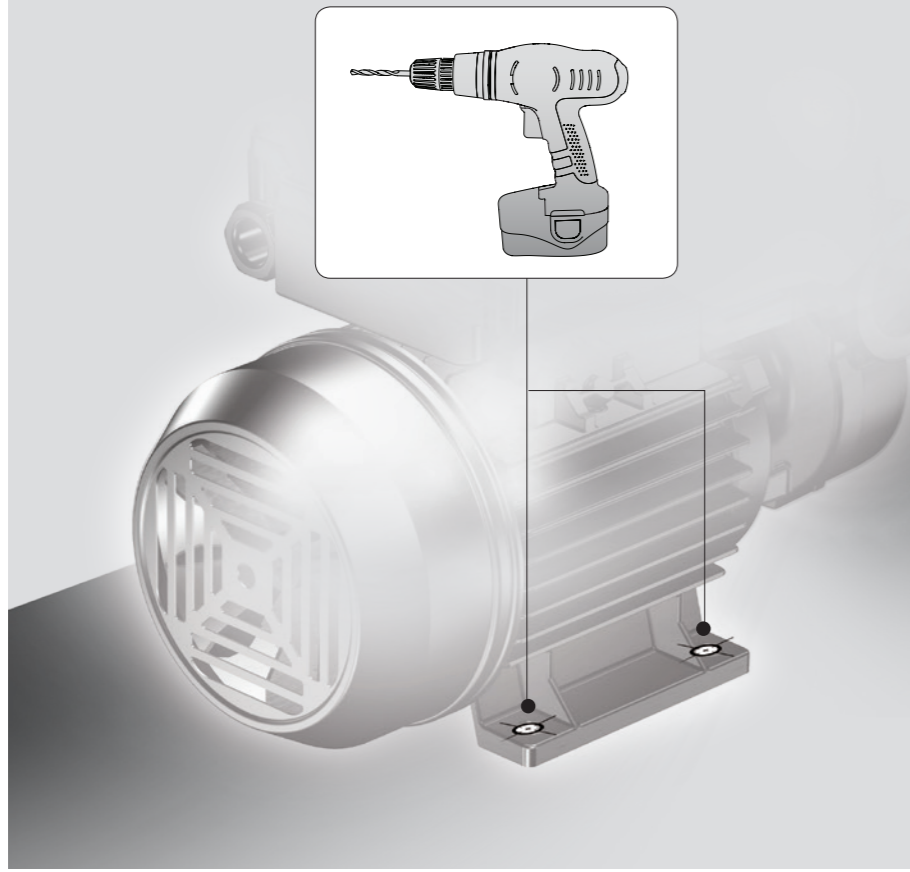


3A

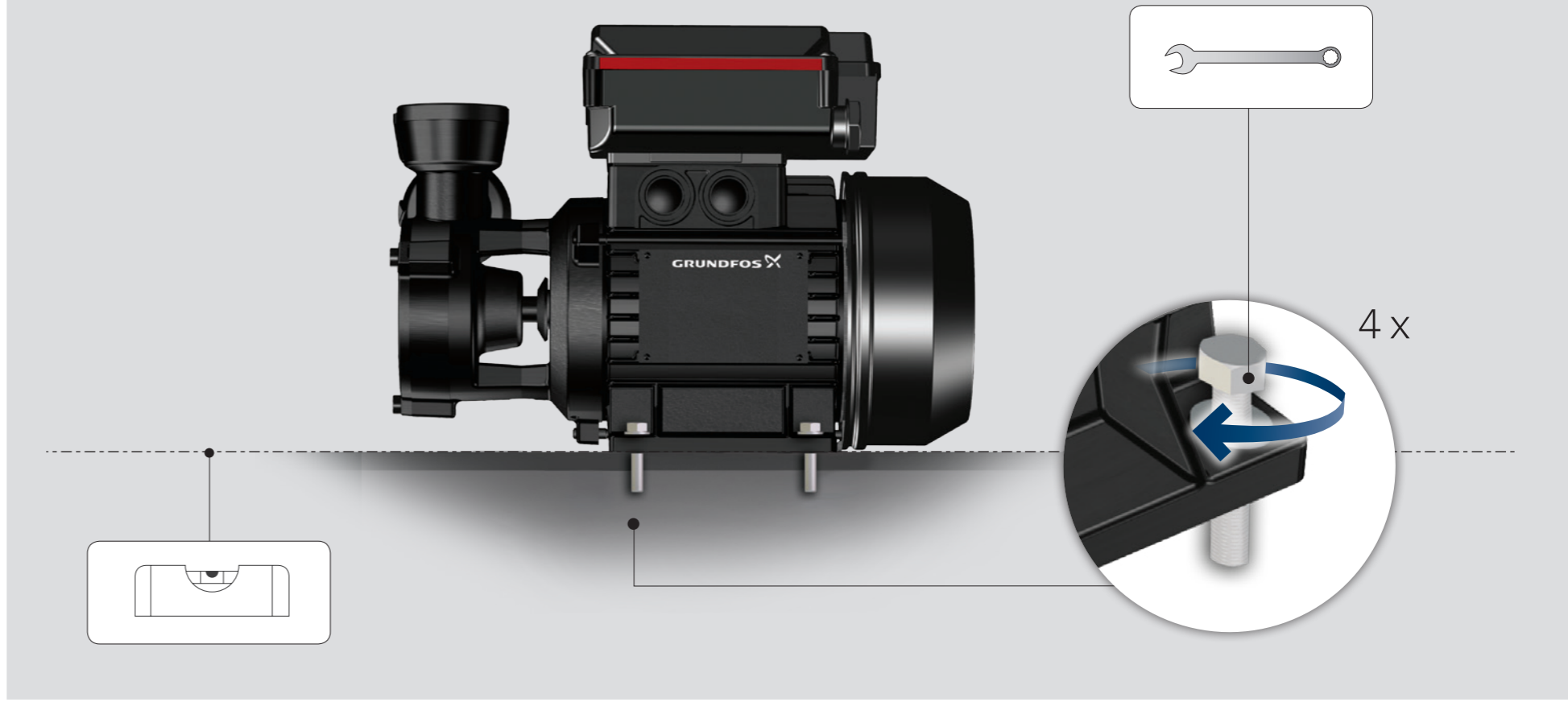


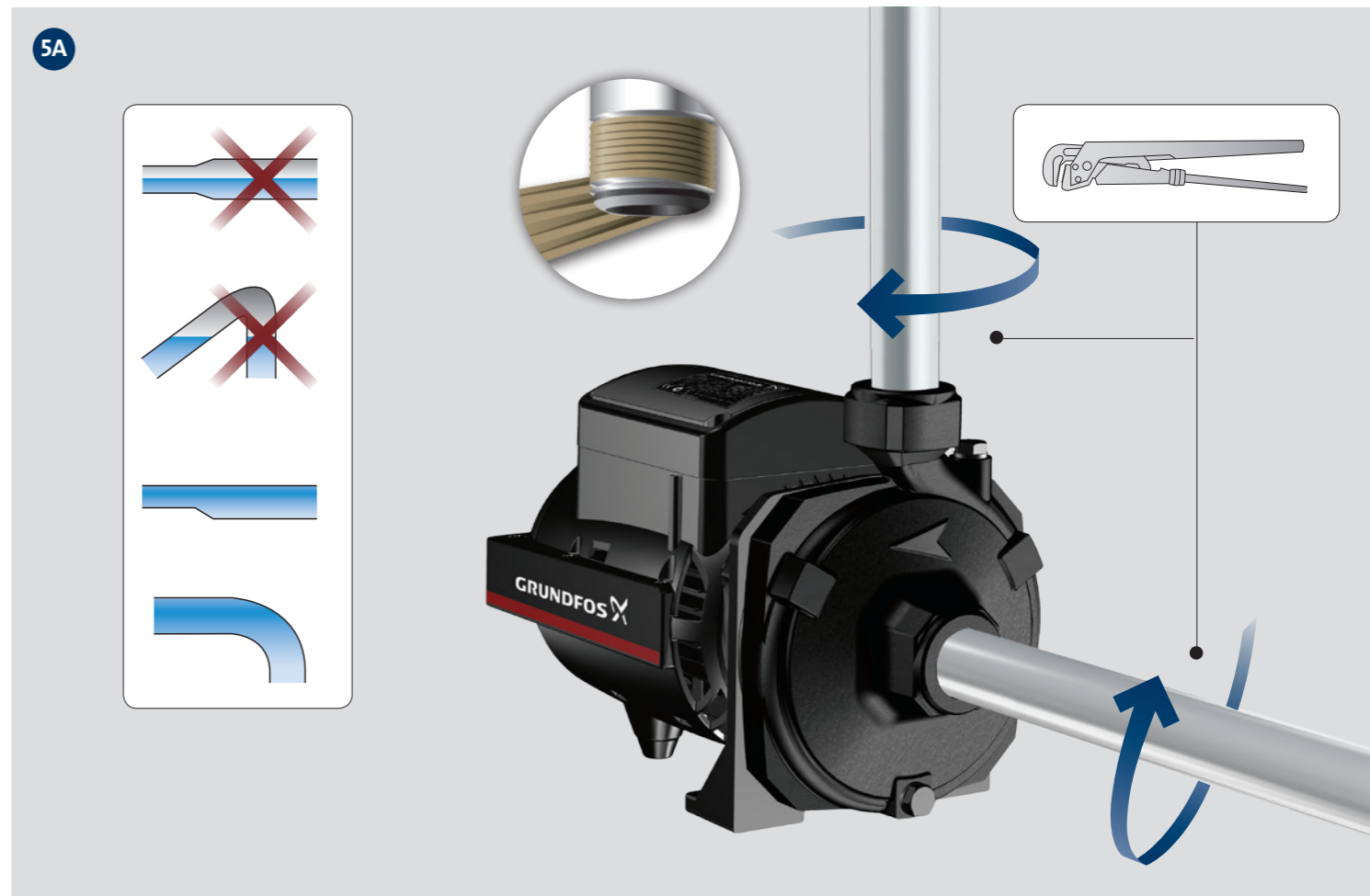
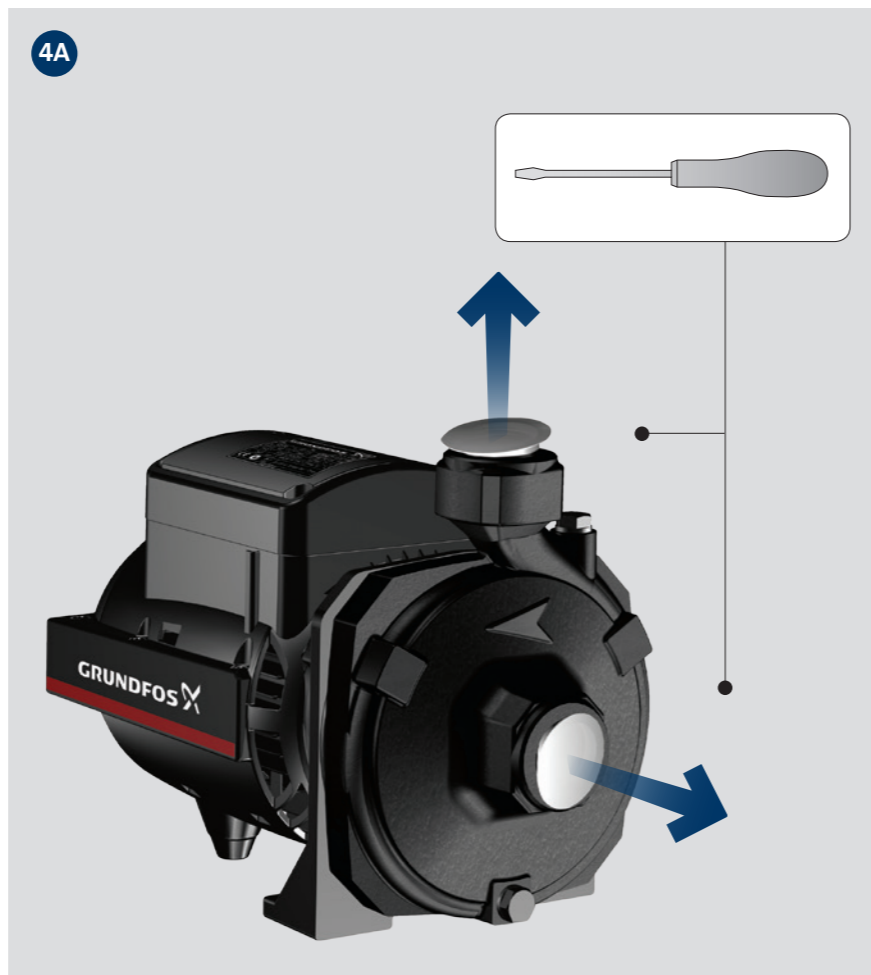
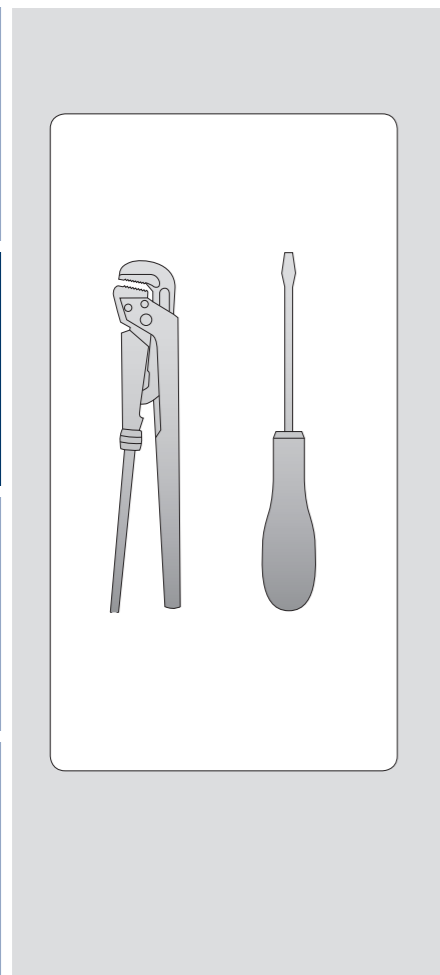
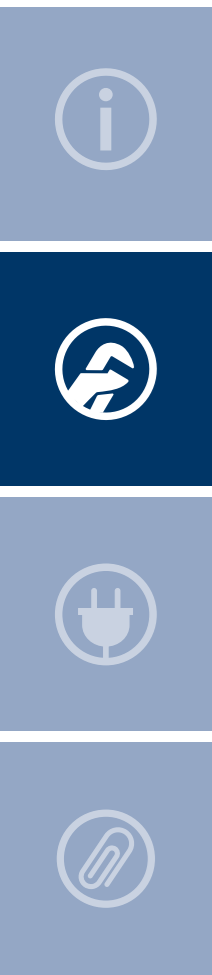


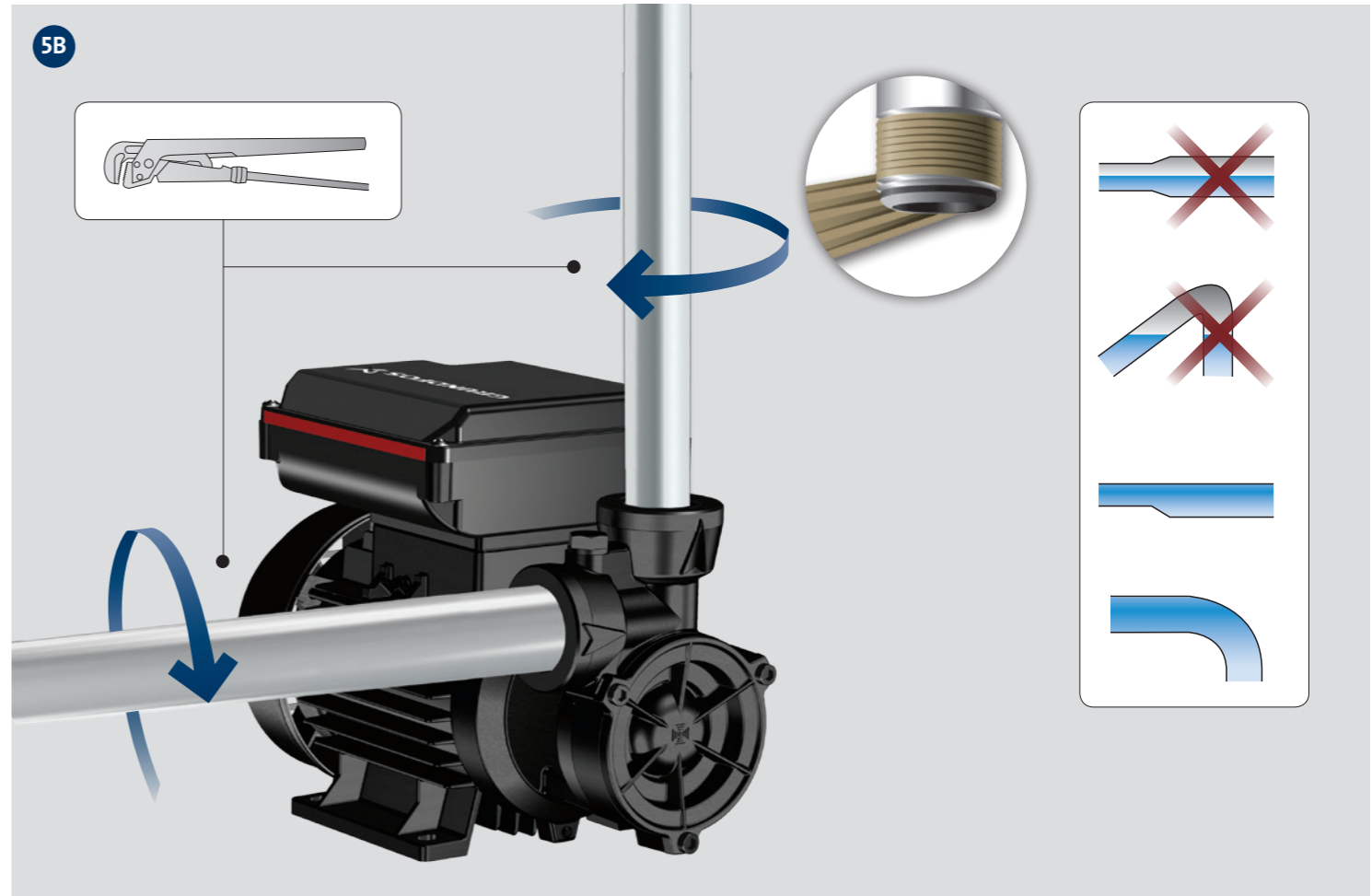
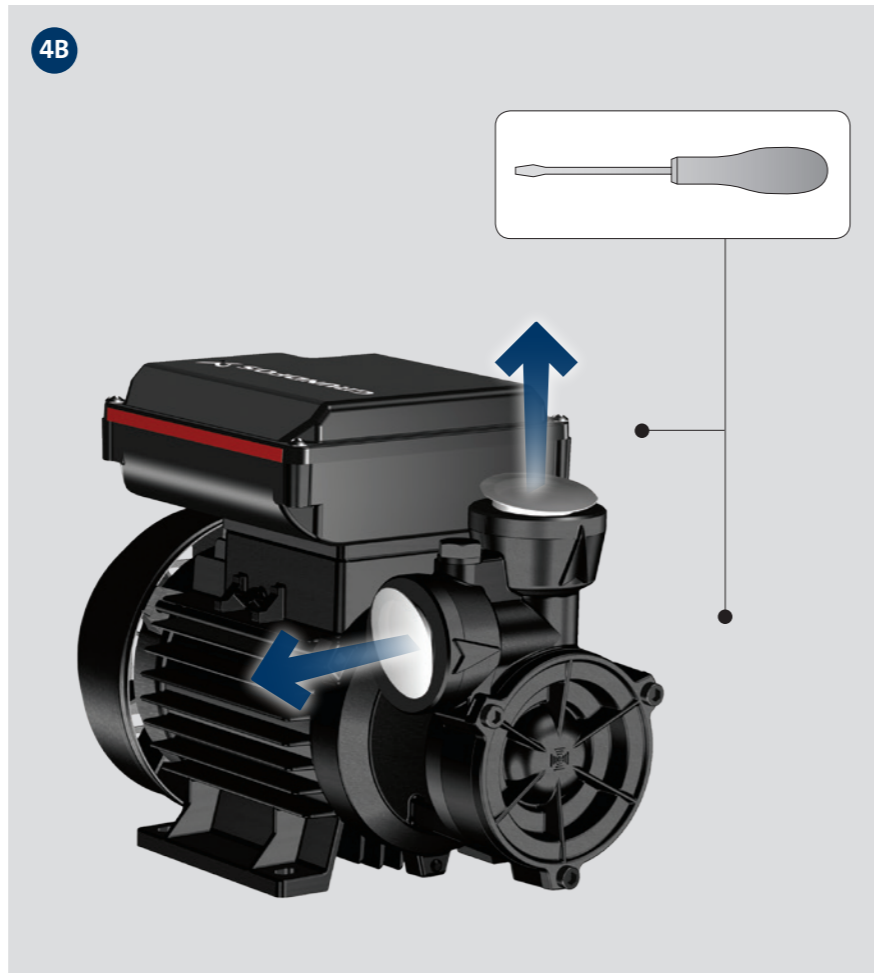
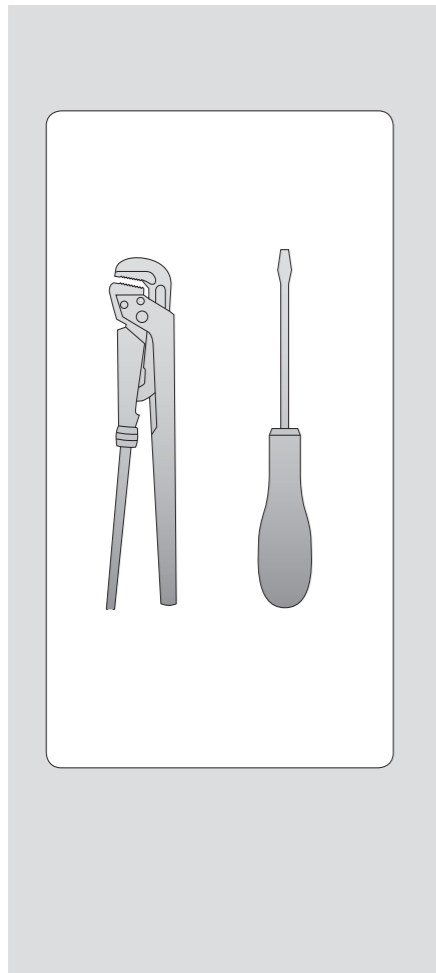
2B

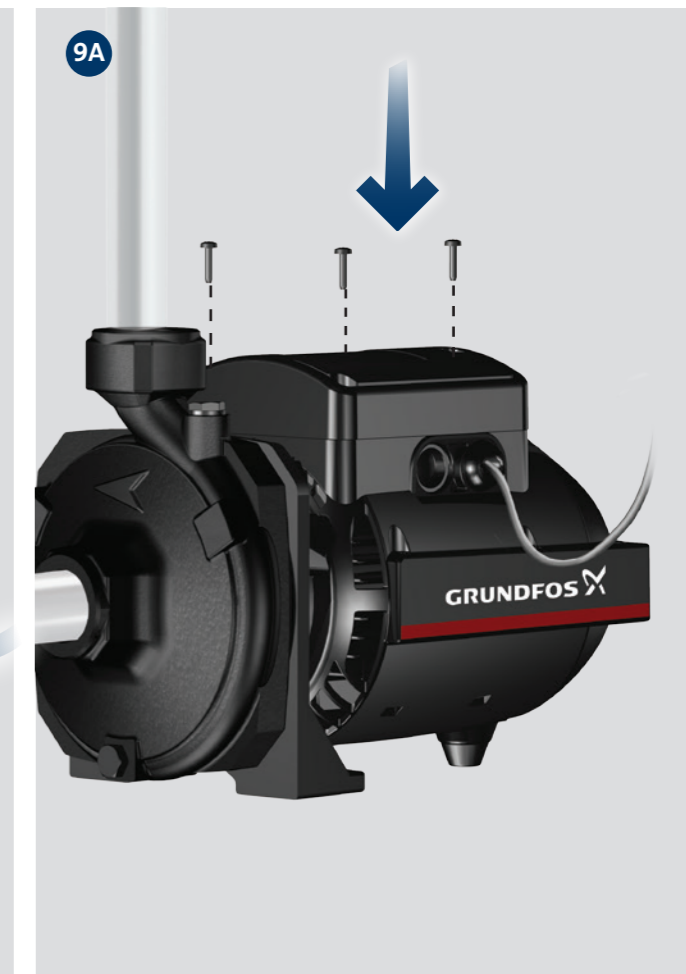
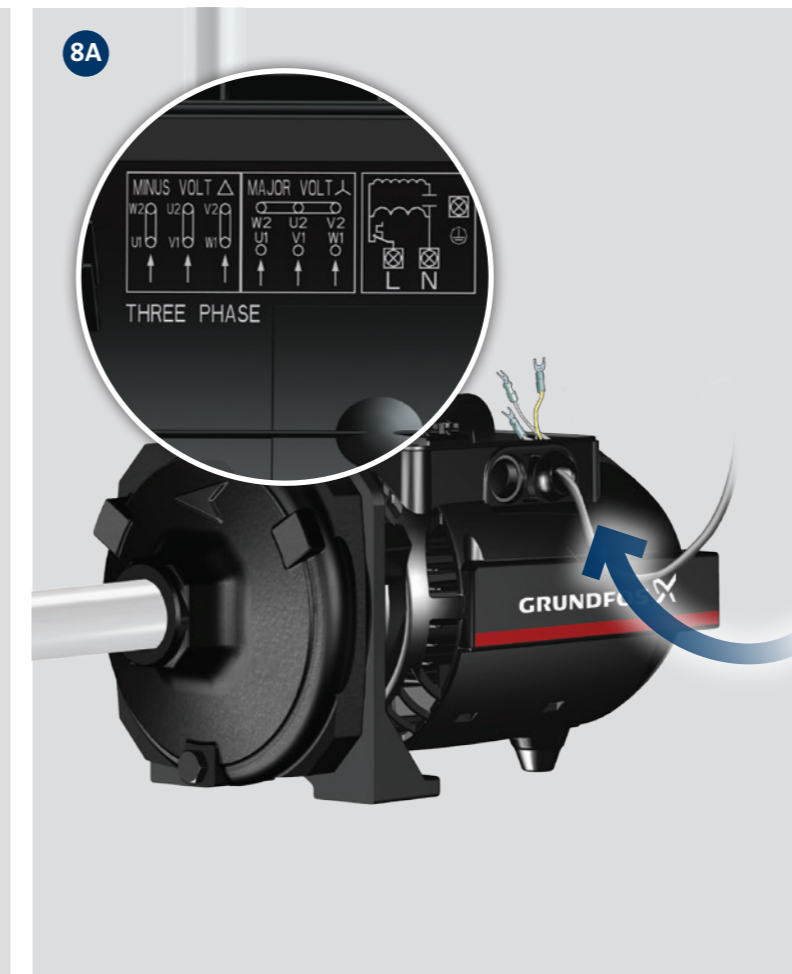
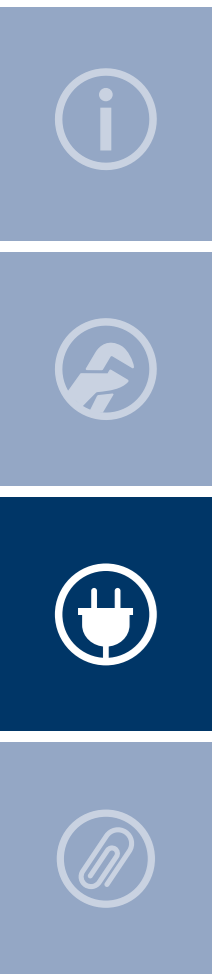


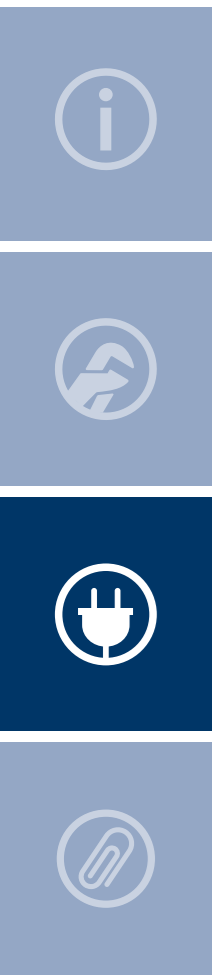
3B



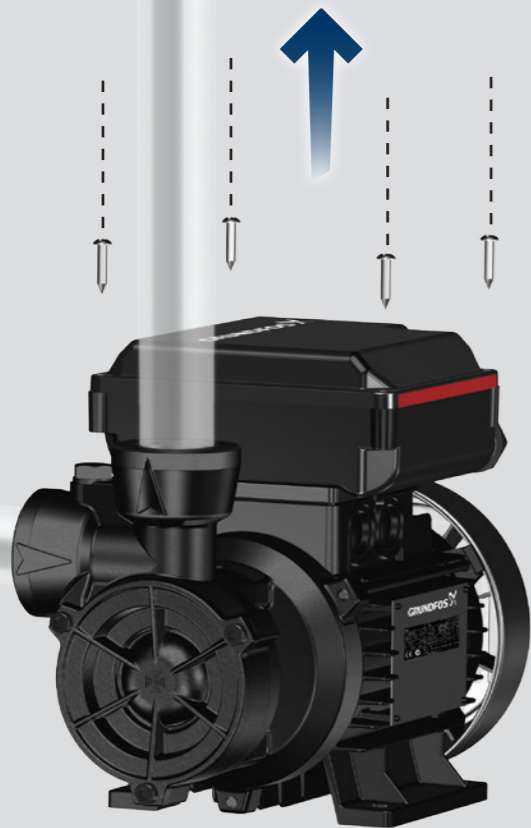








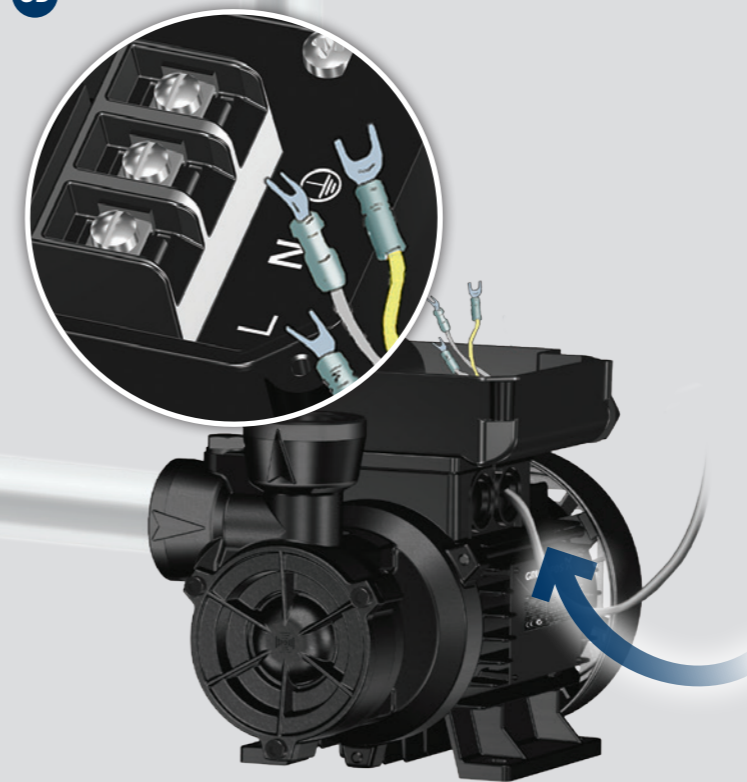
6B



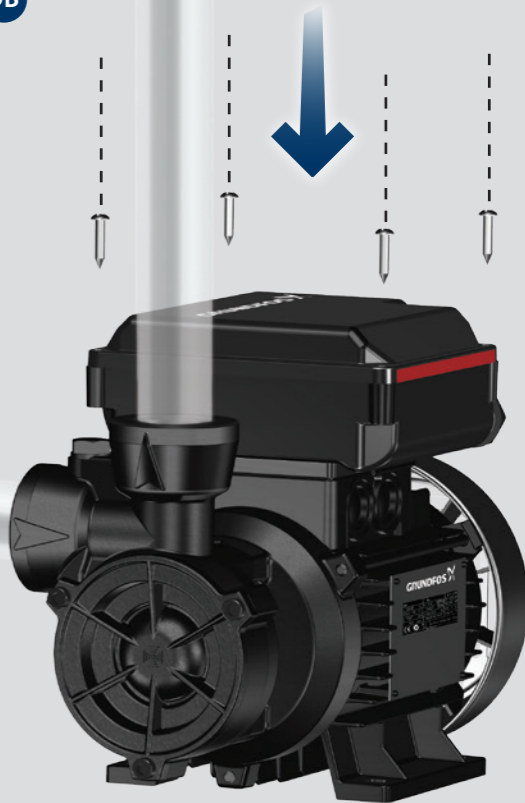
7B

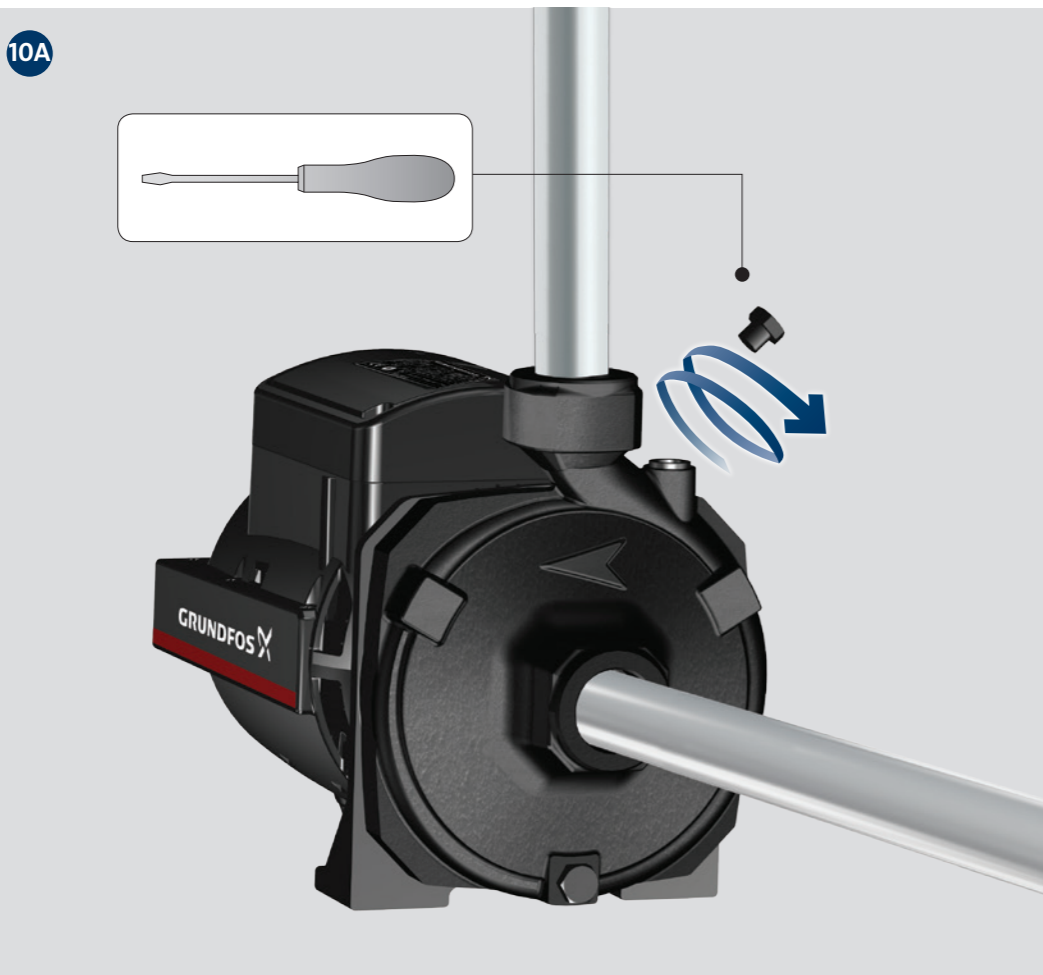


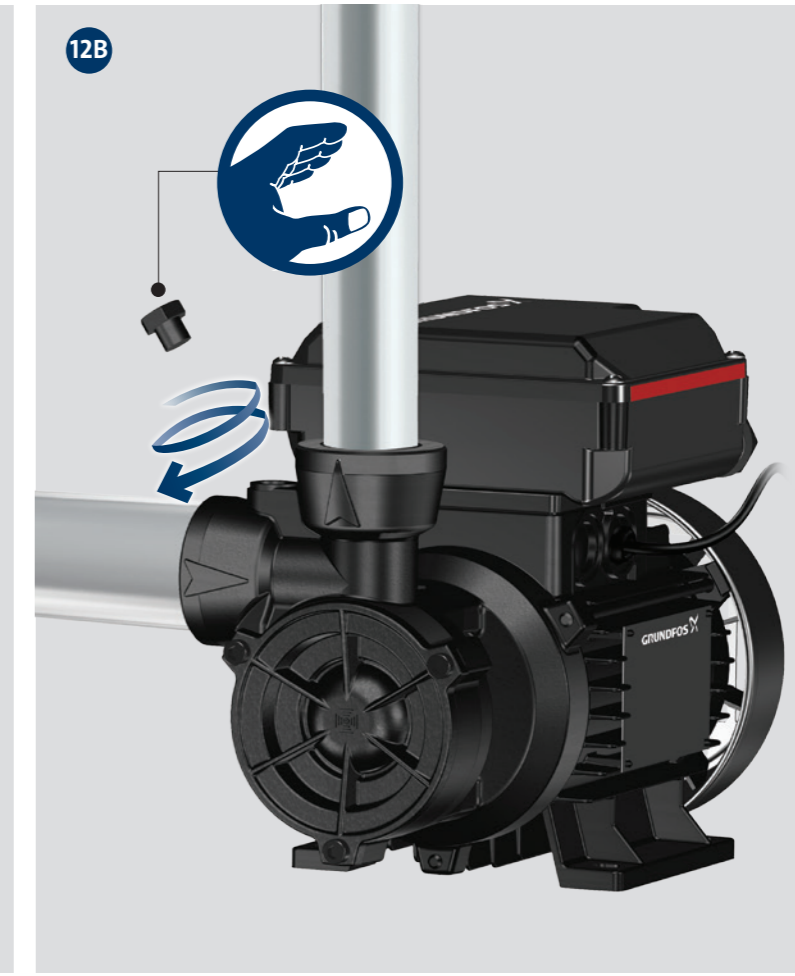
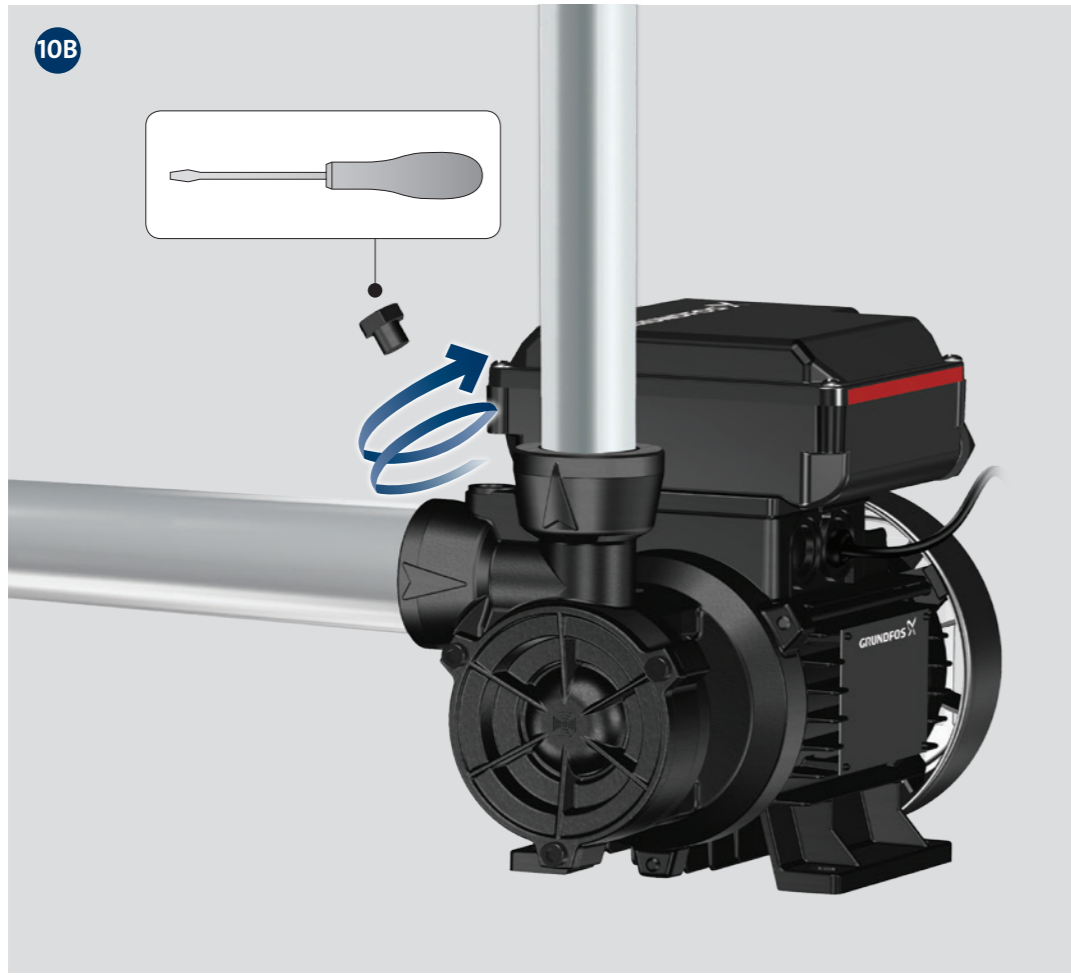
8B

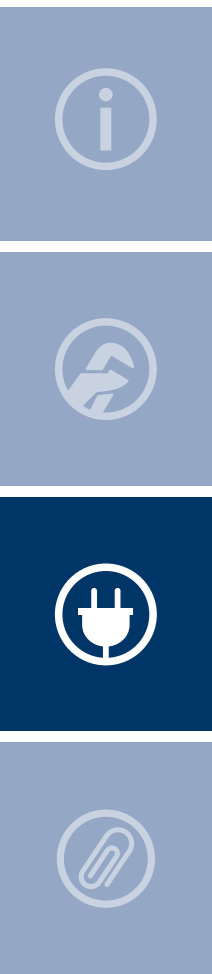


9B

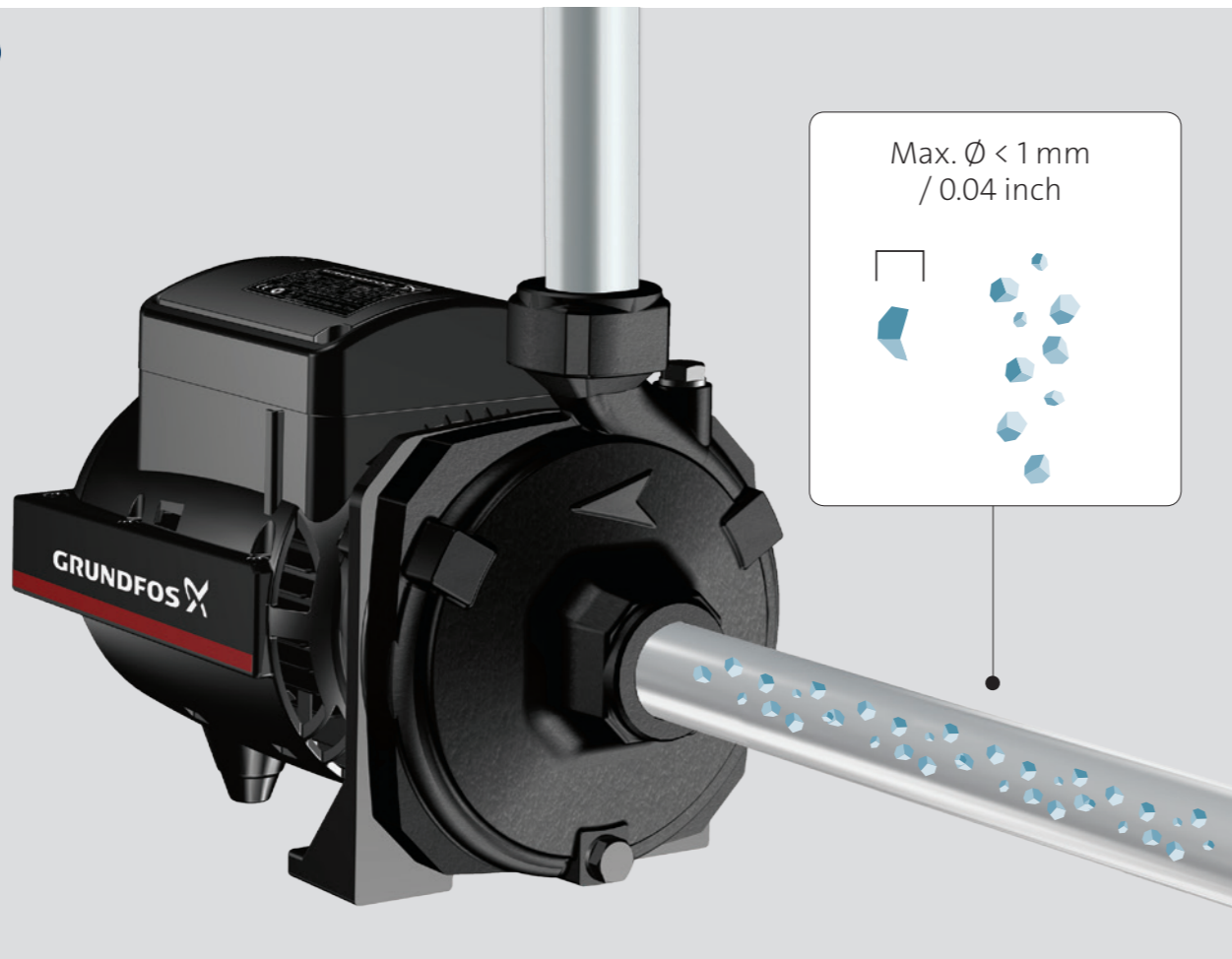








i



13A

